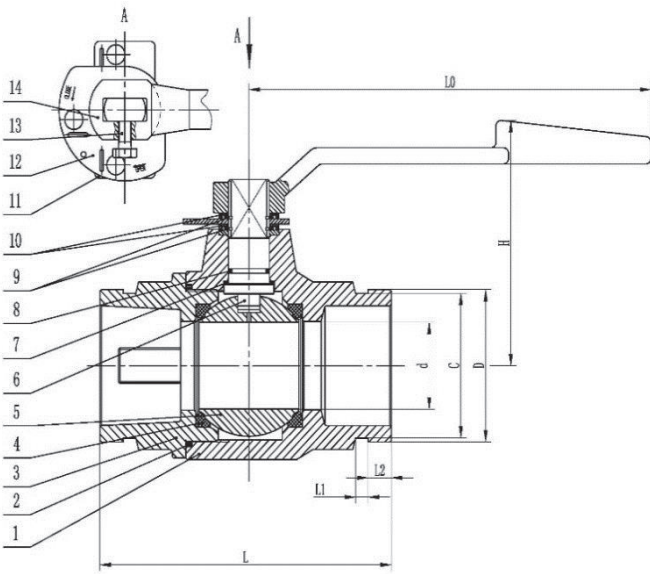


GROOVED END BALL VALVE



Features

- High grade ductile iron with better corrosion resistance and greater yield strength
- 2", 3", 4" 1000 PSI WP, 6" 500 PSI WP
- 2" through 6"
- Multi - seal seats
- Reduced port
- Nace valves include 316 stainless steel ball and stem
- Rugged locking device standard



Parts & Materials

No.	Part	Material
1	BODY	ASTM A395 DI
2	BODY SEAL	VITON
3	ADAPTER	ASTM A395 DI
4	SEATS	RPTFE
5	BALL	ASTM A182 F316
6	STEM	ASTM A276 316
7	STEM BEARING	PTFE
8	STEM SEAL	VITON
9	RETAINER RING	SPRING STEEL
10	DUST COVER	POLYETHYLENE
11	STOP PLATE	CARBON STEEL
12	LOCK PLATE	CARBON STEEL
13	HANDLE BOLT	STANDARD HEX BOLT
14	HANDLE	DUCTILE IRON

Dimensions(in)

NPS	PART#	Weight (lbs)	L	D	C	d	L1	L2	H	L0
2	B02G10DR	8.05	5.13	2.37	2.25	1.50	0.31	0.56	4.89	8.54
3	B03G10DR	17.11	7.31	3.50	3.34	2.00	0.31	0.56	5.64	10.00
4	B04G10DR	35.94	8.75	4.50	4.33	2.99	0.38	0.59	7.38	15.00
6	B06G05DR	58.09	10.10	6.63	6.46	3.94	0.00	0.63	8.09	20.00