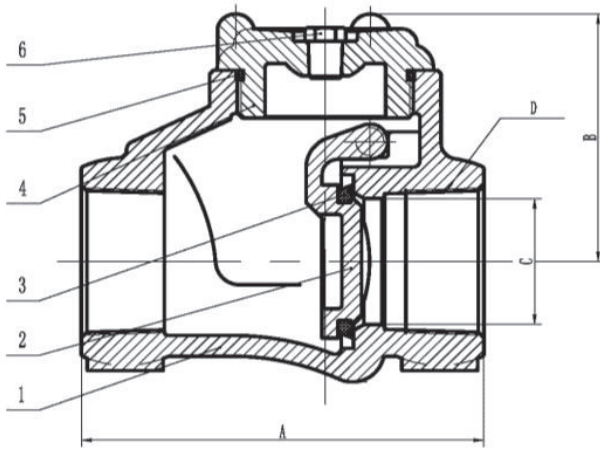


CARBON STEEL SWING CHECK VALVE CT30C SERIES



Features

- Carbon steel swing check valves
- 1" to 3" size range
- 1" - 2" Carbon Steel: (300 - 5000 WOG pressure range)
- 2" - Longbody, 3" Carbon Steel: (300 - 3600 WOG pressure range)
- Full Opening
- Threaded ends to ANSI B1.20.1(NPT)
- NACE MR0175



Parts & Materials

No.	Part	Material
1	BODY	ASTM A216WCB
2	DISK	ASTM A351 CF8
3	SEAL	VITON
4	BONNET	ASTM A216WCB
5	O-RING	VITON
6	BONNET SCREW	CARBON STEEL

Dimensions(in)

Size	Part#	Connection	Pressure	Weight (lbs)	A	B	C	D
1"	C01T50D	NPT	5000	5.25	4.72	3.07	1.00	11.5NPT
2"	C02T30D	NPT	3600	12.17	6.30	4.06	2.00	11.5NPT
2"	C02T50D	NPT	5000	13.89	6.30	4.06	2.00	11.5NPT
3"	C03T30D	NPT	3000	33.95	8.00	5.43	3.00	8NPT