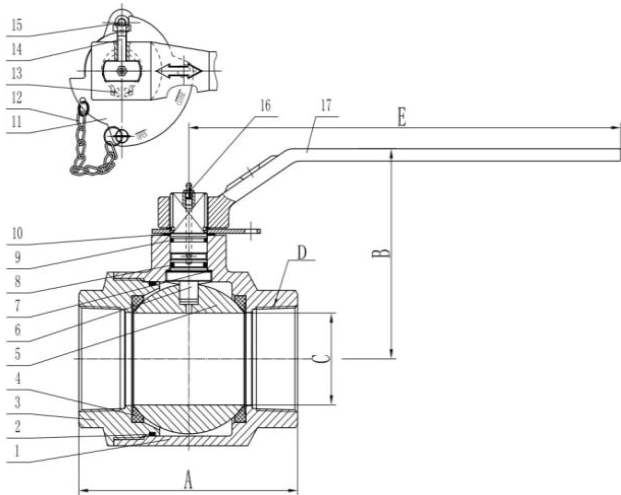


# CARBON STEEL BALL VALVE BT30DF SERIES



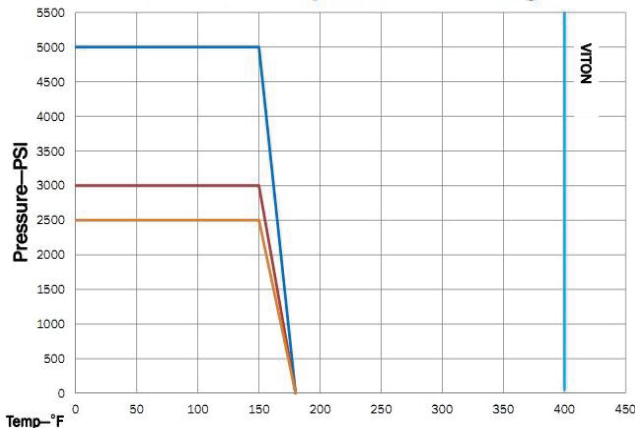
## Features

- 2500/3000/5000 W.O.G. Full Port
- Cast steel body
- Blow out proof stem
- Delrin seat
- Inspection and test: API598
- Threads conform to ASME B1.20.1(NPT)
- NACE MR-01-75

## Parts & Materials

No.	Part	Material
1	BODY	ASTM A216 WCB
2	BODY SEAL	VITON
3	ADAPTER	ASTM A216 WCB
4	SEATS	DELTRIN
5	BALL	SS420
6	STEM	ASTM A276 420
7	THRUST BEARING	PTFE
8	STEM SEAL	VITON
9	STEM SEAL	VITON
10	STEM BEARING	PTFE
11	STOP PLATE	STEEL PLATE
12	PIN WITH CHAIN	STAINLESS STEEL
13	RETAINER RING	SPRING STEEL
14	STOP PIN	SPRING STEEL
15	HEXAGON BOLTS	CARBON STEEL
16	GREASE ZERK	CARBON STEEL
17	HANDLE	DUCTILE IRON

## Pressure Temperature Ratings



## Dimensions(in)

Size	Part#	PORT	Pressure	Weight (lbs)	A	B	C	D	E	Torque In.lbs
1"	B01T50DF	FP	5000	4.74	4.03	4.00	1.03	11.5NPT	6.00	1500
2"	B02T30DF	FP	3000	18.65	6.00	5.93	2.02	11.5NPT	10.00	2350
3"	B03T30DF	FP	3000	54.65	8.72	7.39	3.02	8NPT	20.00	4100
4"	B04T30DF	FP	3000	83.22	9.38	9.76	4.06	8NPT	31.50	8100

\*Torque at Full Rated Pressure