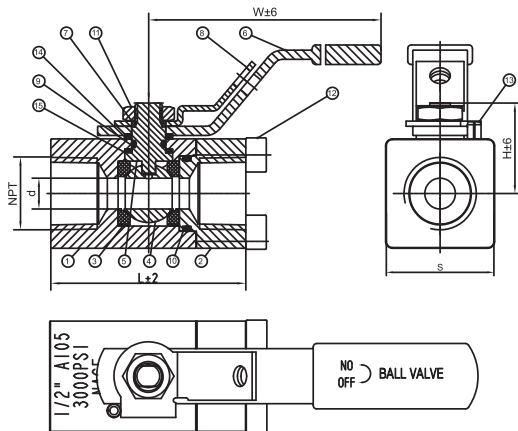


Floating Ball Valve Threaded End 3000PSI



Description

- Size 1/4" TO 1"
- 3000PSI WP
- Bolted Body Construction
- Blow-out Proof Stem
- 316SS Ball and Stem
- Locking Handle
- Test Acc. to API598
- NACW MRO175



NO.	Part Name	MATERIAL
1	Body	ASTM A105
2	CAP	ASTM A105
3	SEAT	NYLON
4	BALL	316SS
5	STEM	316SS
6	HANDLE	Carbon Steel
7	WASHER	Carbon Steel
8	STOP PLATE	Carbon Steel
9	STEM O-RING	VITON
10	BODY O-RING	VITON
11	NUT	A193 2H
12	BOLT	A193 B7
13	STOP PIN	STAINLESS STEEL
14	STEM WASHER	RPTFE
15	THRUST WASHER	RPTFE

PART#	Size	d	S	L	H	W	Weight lbs
A105							
B14T30SF	1/4"	0.37	1.25	2.25	1.02	3.74	1.00
B12T30SR	1/2"	0.37	1.25	2.25	1.02	3.74	0.94
B34T30SF	3/4"	0.75	2.00	3.62	1.57	4.72	3.75
B01T30SR	1"	0.75	2.00	3.62	1.57	4.72	3.65

PART#	Size	d	S	L	H	W	Weight kgs
A105							
B14T30SF	1/4"	9	31	57	26	96	0.45
B12T30SR	1/2"	9	31	57	26	96	0.43
B34T30SF	3/4"	19	50	92	40	120	1.70
B01T30SR	1"	19	50	92	40	120	1.60

