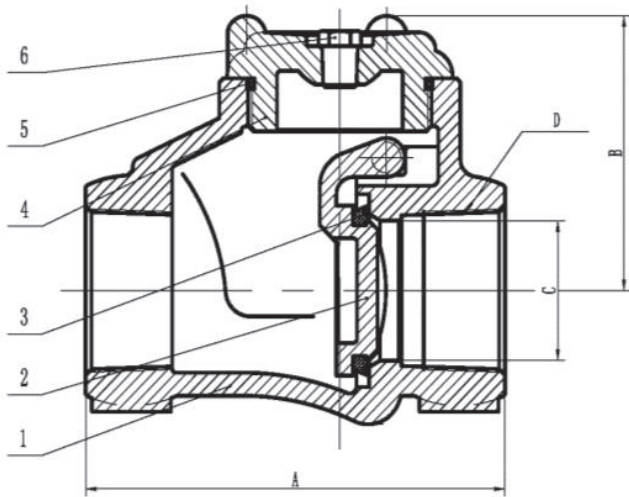


2000PSI DI Swing Check Valve



Features

- Ductile iron swing check valves
- 1" to 4" range
- Ductile iron: 2000WOG pressure range
- Full opening
- Threaded ends to ANSI B1.20.1 (NPT)
- Nace MR0175



No.	Part	Material
1	BODY	DUCTILE IRON/ASTM A395
2	DISK	ASTM A351 CF8
3	O-RING SEAL	VITON
4	BONNET	DUCTILE IRON/ASTM A395
5	GASKET	VITON
6	BONNET SCREW	CARBON STEEL

Dimensions(in)

Size	Part#	Connection	Pressure	Weight (lbs)	A	B	C	D
1"	C01T20D	NPT	2000	5.86	4.72	3.23	1.00	11.5NPT
2"	C02T20D	NPT	2000	12.13	6.30	4.09	2.00	11.5NPT
3"	C03T20D	NPT	2000	22.49	8.25	5.39	3.05	8NPT
4"	C04T10D	NPT	1000	35.80	10.00	6.30	3.94	8NPT
4"	C04T20D	NPT	2000	57.76	10.00	7.80	3.98	8NPT