

2000PSI DI BALL VALVE FP

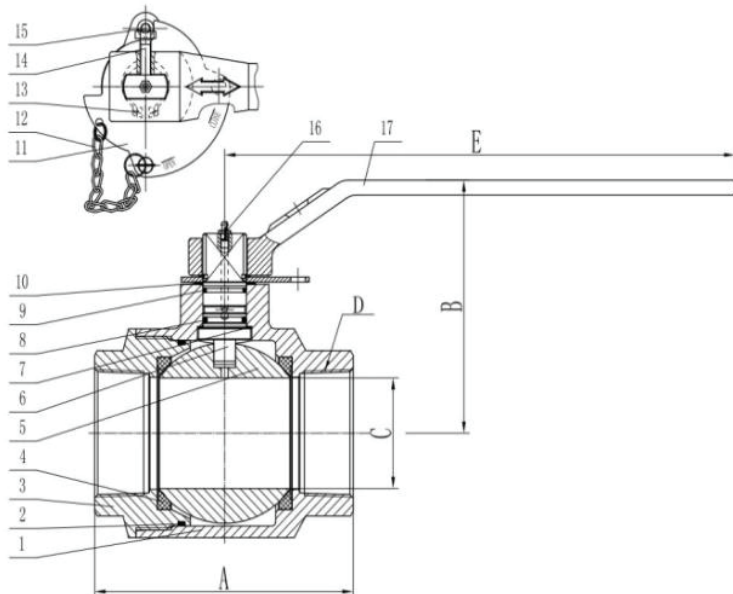


Features

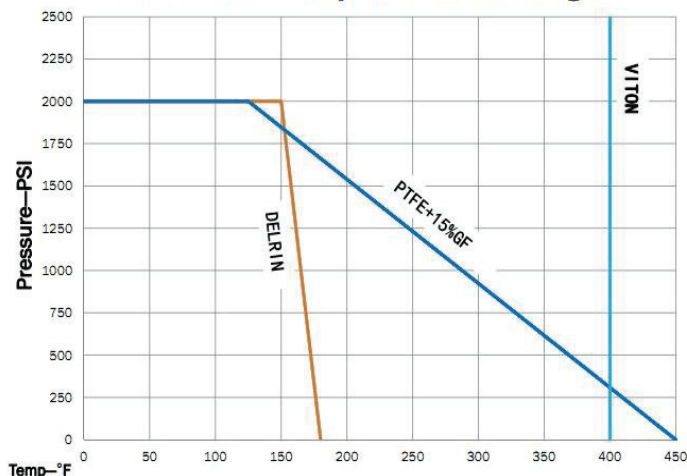
- 2000 W.O.G. full port
- Ductile iron body
- Blow out proof stem
- (1", 2") RPTFE (2 1/2", 3", 4") DELRIN seat
- Inspection and test: API598
- Threads conform to ASME B1.20.1 (NPT)
- Nace MR0175

Parts & Materials

No.	Part	Material
1	BODY	ASTM A395 DI
2	BODY SEAL	VITON
3	ADAPTER	ASTM A395 DI
4	SEATS	PTFE+15%GF/DELRIN
5	BALL	SS420
6	STEM	ASTM A276 420
7	THRUST BEARING	PTFE
8	STEM SEAL	VITON
9	STEM SEAL	VITON
10	STEM BEARING	PTFE
11	STOP PLATE	STEEL PLATE
12	PIN WITH CHAIN	STAINLESS STEEL
13	RETAINER RING	SPRING STEEL
14	STOP PIN	SPRING STEEL
15	HEXAGON BOLTS	CARBON STEEL
16	GREASE ZERK	CARBON STEEL
17	HANDLE	DUCTILE IRON



Pressure Temperature Ratings



Dimensioning(in)

Size	Part#	PORT	Pressure	Weight (lbs)	A	B	C	D	E	Torque In. lbs
1"	B01T20DF	FP	2000	4.25	4.02	3.39	1.00	11.5NPT	6.57	750
2"	B02T20DF	FP	2000	17.97	6.00	5.51	2.02	11.5NPT	10.00	1625
3"	B03T20DF	FP	2000	42.33	8.74	6.85	2.99	8NPT	15.00	3660
4"	B04T20DF	FP	2000	63.49	9.40	6.77	3.94	8NPT	29.53	6000

*Torque at Full Rated Pressure