

FLANGED END BALL VALVE 150LB



SPECIFICATIONS		
NOMINAL PRESSURE	285Psi	2.0 Mpa
SHELL STRENGTH (WATER)	450Psi	3.0 Mpa
SEALING TEST (WATER)	315 Psi	2.2Mpa
AIR SEAT PING (AIR)	80.8 Psi	0.55 Mpa

Features

- WCB Cast Body and Adapter
- Blowout proof stem design
- Valves Designed to API 6D
- Valves meet ASME B16.34 B16.10 B16.5 and BS5351
- Fire safe design
- Locking Devices Standard for Lever or Gear Operated Valves
- NACE MR0175
- Antistatic grounding between ball, stem and body
- 1" 2" 2-1/2" 3" 4" 6" 8" 10" Lever Operated 6" 8" 10" Gear Operated
- ISO 5211 Compatible Mounting Pads

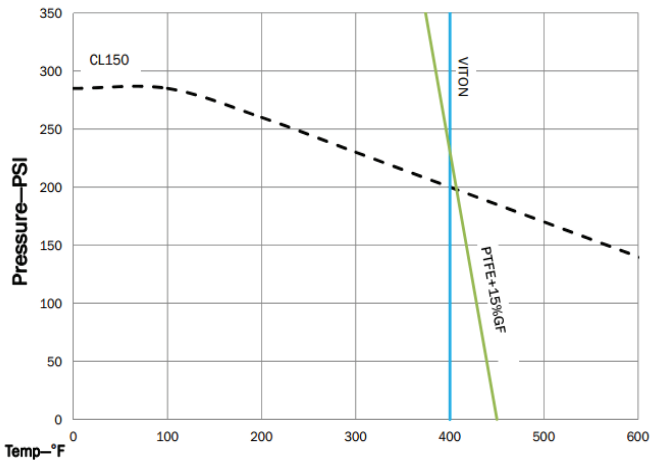
Parts Materials

NO.	Description	Material
1	Body	ASTM A216 WCB
2	Stud	ASTM A193 B7M
3	Nut	ASTM A194 2HM
4	Adapter Cap	ASTM A216 WCB
5	Gasket, Body	SS304+Graphite
6	O-ring, Body	HNBR-90
7	Seat *	PTFE+15%GF
8	Ball *	SS316
9	Stem *	SS316
10	Stem, gasket	PTFE
11	O-ring, Stem	HNBR-90
12	Antistatic steel ball	SS304
13	Antistatic spring	SS304
14	Grease Zerk	Carbon steel
15	Handle Screw	Carbon steel
16	Stop Plate	CS+zn
17	Retainer	CS
18	Stop	CS
19	Screw Handle	Ductile Iron

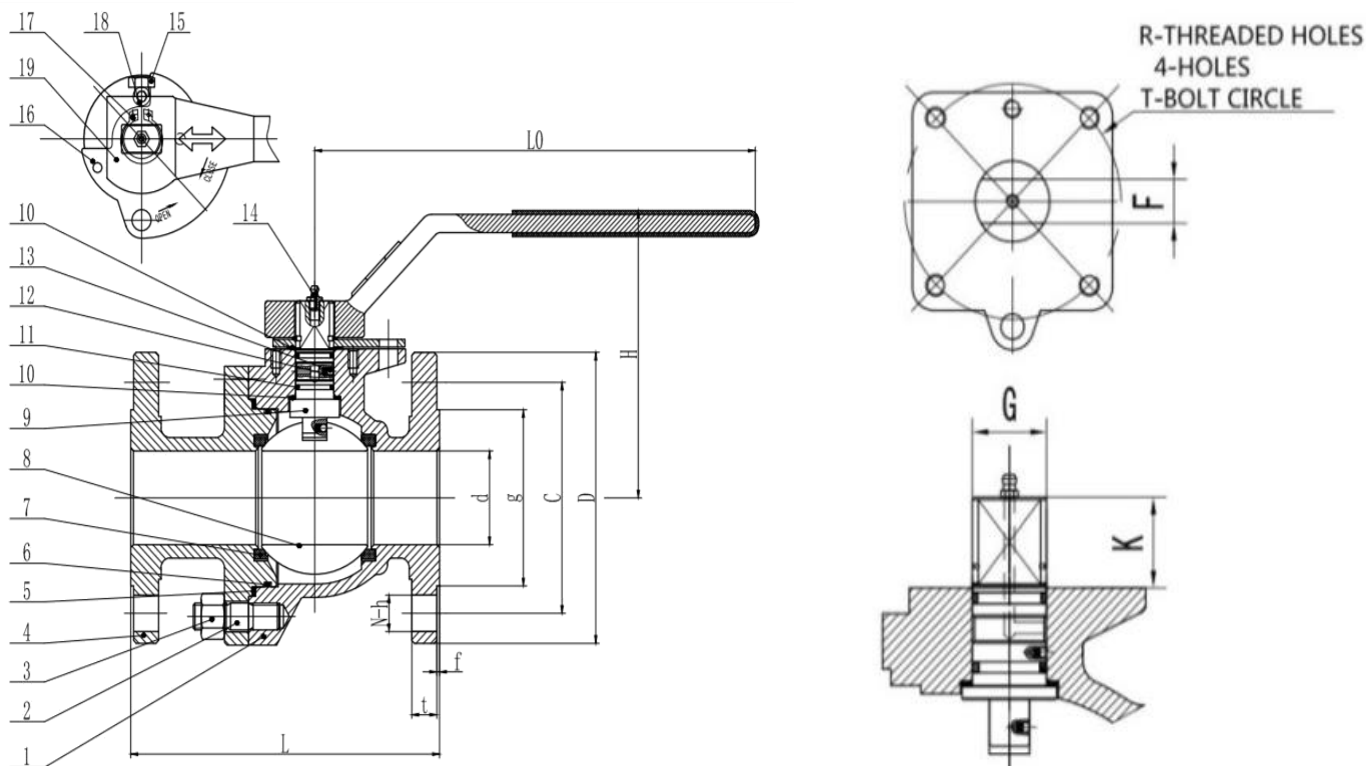
***Customer requirements

Carbon Steel
A216 WCB
ASME B16.34 Ratings
Material Limits

Pressure Temperature Ratings



FLANGED END BALL VALVE 150LB



Dimensions(in)

NPS	1"	2"	2-1/2"	3"	4"	5"	6"	8"	10"
L	5.00	7.00	7.52	8.00	9.00	14.02	15.50	18.00	20.98
D	4.33	6.00	7.09	7.50	9.00	10.04	10.98	13.58	15.94
C	3.13	4.75	5.50	6.00	7.50	8.50	9.50	11.75	14.25
g	2.01	3.62	4.13	5.00	6.18	7.32	8.50	10.63	12.76
d	1.00	1.93	2.56	2.91	3.94	4.92	5.91	7.91	9.92
N	4.00	4.00	4.00	4.00	8.00	8.00	8.00	8.00	12.00
h	0.63	0.75	0.75	0.75	0.75	0.88	0.88	0.88	1.02
t	0.50	0.69	0.71	0.88	0.88	0.88	0.94	1.06	1.12
f	0.06	0.06	0.06	0.06	0.06	0.06	0.06	0.06	0.06
H	4.27	5.91	6.32	6.88	9.11	10.83	12.52	14.37	16.34
R	M6	1/4-20	1/4-20	5/16-18	3/8-16	0.55	0.71	0.866	0.866
T	1.800	1.969	1.969	2.750	4.016	4.920	6.500	6.500	6.500
G	0.630	0.866	0.866	1.244	1.374	1.374	1.575	1.969	1.969
F	0.370	0.551	0.551	0.866	0.945	0.945	1.063	1.417	1.417
K	0.945	0.984	0.984	1.339	1.555	1.496	1.594	1.970	2.362
L0	6.2	12.0	12.0	14.0	21.7	25.6	31.5	39.4	76.6
Torque (ft.lb)	11	50	70	90	130	200	625	1000	1916
Weight (Lbs)	9.0	26.5	33.1	46.3	77.2	105	145.5	220.5	407